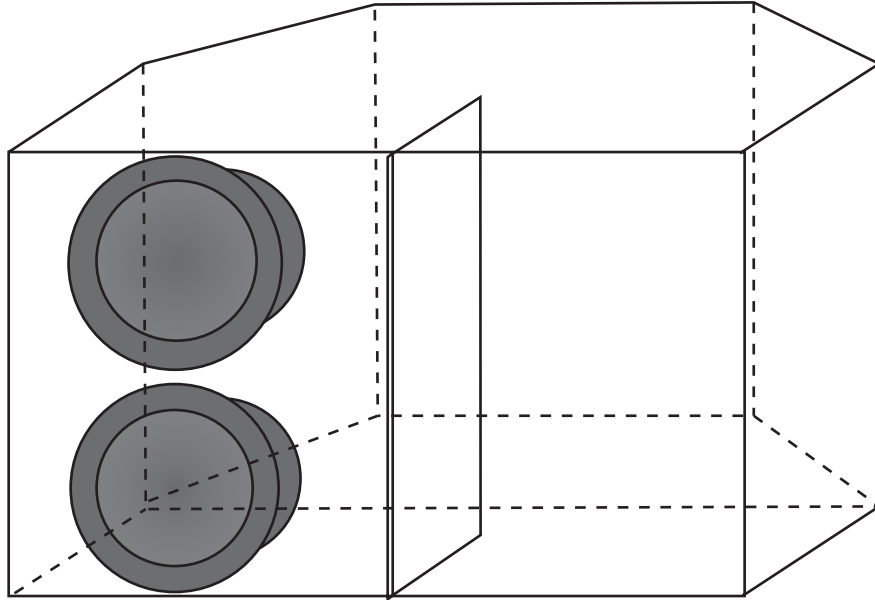
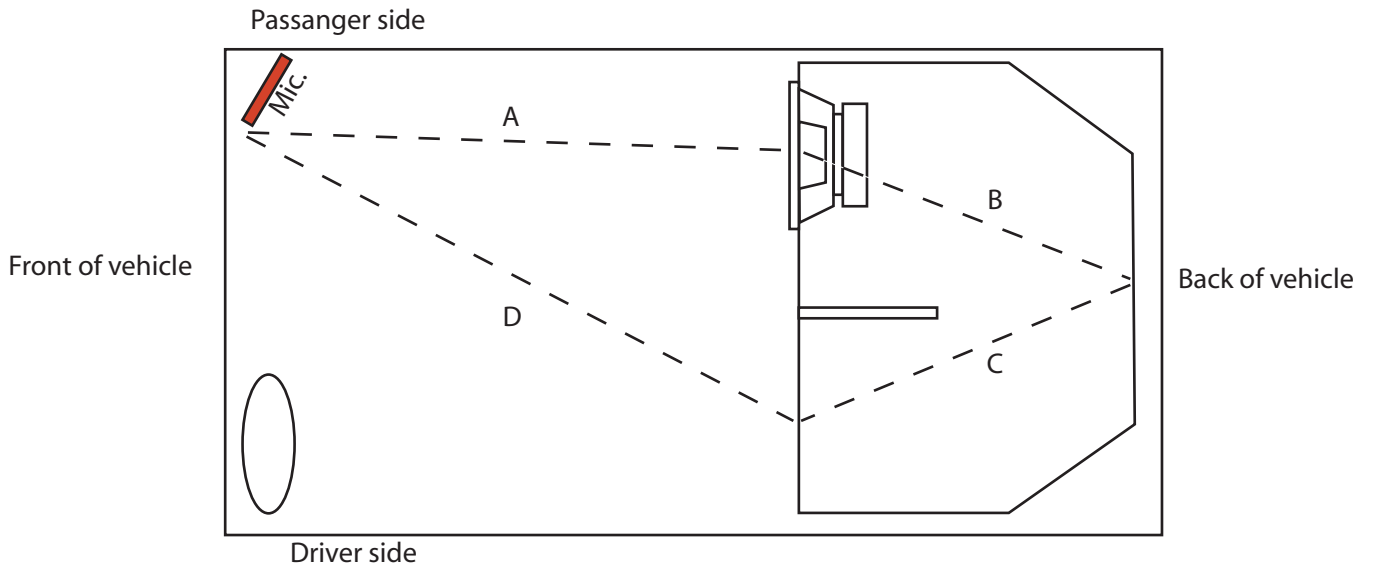


Front View of Box



Top View of Vehicle



Formula:
 $A \times 3 = B + C + D$

$A = 48''$
 $B = 35''$
 $C = 35''$
 $D = 74''$

$$48 \times 3 = 35 + 35 + 74$$
$$144 = 144$$