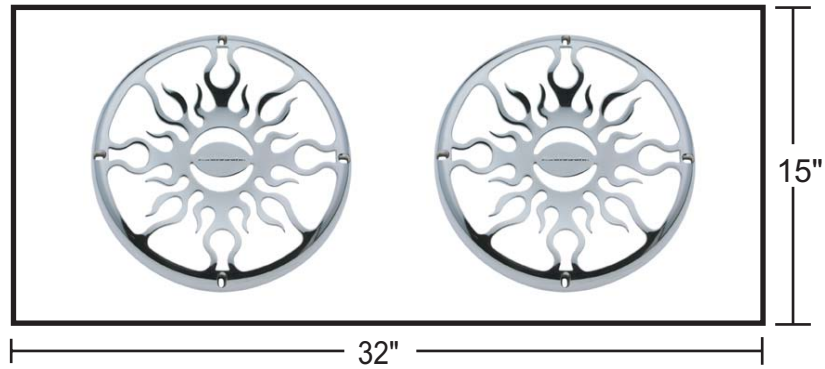
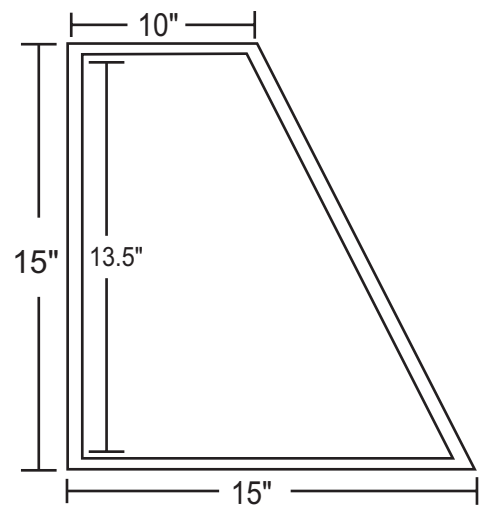
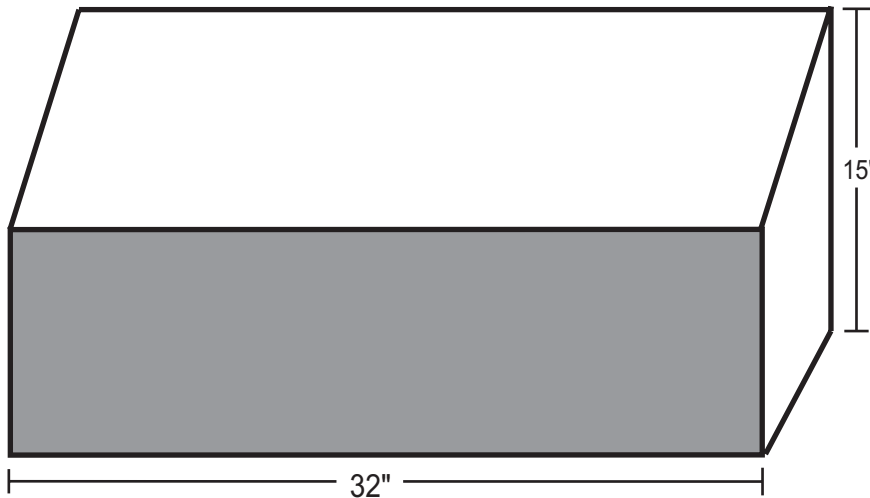


Calculating Box Volume (Sample)

Back View



Top View



3/4" wood is being used

(Height) (Width) (Depth) = Volume (in inches)

(Height) in inches minus the wood = 13.5"

(Width) in inches minus the wood = 30.5"

(Depth) in inches = (Top) + (Bottom) / 2

(Top) in inches minus the wood = 8.5"

(Bottom) in inches minus the wood = 13.5"

(Top) + (Bottom) = 22" / 2

(13.5)(30.5)(11) = 4529"

4529" / 1728 = 2.621³ Cubic Feet

1728 is equal to a cubic

Your Box Measurements

(Height) = _____

(Width) = _____

(Depth) = _____

Volume in inches = _____

(Divided by) **1728**

Volume in cubic Feet = _____